

FCL 型弹性套柱销联轴器 FCL Flexible Couplings



概述

FCL 型弹性套柱销联轴器的特点是结构简单，安装方便，更换容易，尺寸小，重量轻，因而得到广泛使用，如若安装调整后能保持两轴相对位移量在规定的范围内，则联轴器会有满意的使用性能和较长的工作寿命。因此能广泛用于载荷不大，由电动机驱动的各种中、小功率传动轴系中，如减速机、起重机、压缩机、输送机、纺织机、卷扬机、球磨机等。

弹性套柱销联轴器的许用相对位移：

径向位移：0.2 ~ 0.6mm

角位移： $0^{\circ} 30' \sim 1^{\circ} 30'$

Summary

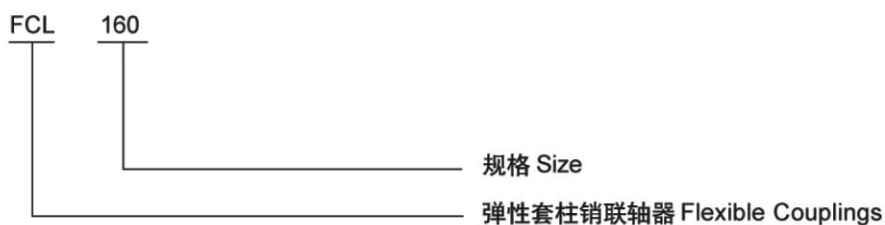
Flexible Couplings Model FCL is widely used for its compact designing, easy installation, convenient maintenance, small size and light weight. As long as the relative displacement between shafts is kept within the specified tolerance, B couplings will operate the best function and have a longer working life. Thus it is greatly demanded in medium and minor power transmission systems driven by moters, such as speed reducers, hoists, compressors, conveyers, spinning and weaving machines and ball mills.

Permittable relative displacement:

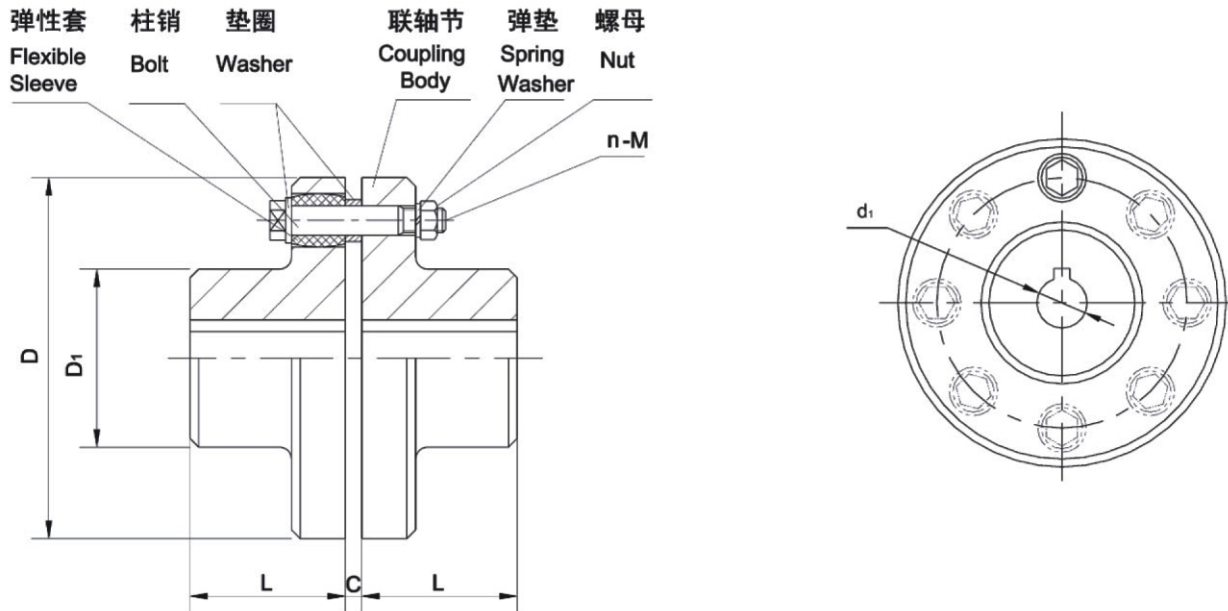
Radial displacement: 0.2~0.6mm

Angle displacement: $0^{\circ} 30' \sim 1^{\circ} 30'$

型号及表示方法 Type & Expressions



外形尺寸及参数 Size chart & Parameter



型号 Type	许用转矩 Max torque N·m	许用转速 Max speed r/min	D	D ₁	d ₁	L	C	n-M	重量 kg
FCL90	4	4000	90	35.5	11	28	3	4-M8 × 50	1.7
FCL100	10	4000	100	40	11	35.5	3	4-M10 × 56	2.3
FCL112	16	4000	112	45	13	40	3	4-M10 × 56	2.8
FCL125	25	4000	125	50	13	45	3	4-M12 × 64	4.0
FCL140	50	4000	140	63	13	50	3	6-M12 × 64	5.4
FCL160	110	4000	160	80	15	56	3	8-M12 × 64	8.0
FCL180	157	3500	180	90	15	63	3	8-M12 × 64	10.5
FCL200	245	3200	200	100	21	71	4	8-M20 × 85	16.2
FCL224	392	2850	224	112	21	80	4	8-M20 × 85	21.3
FCL250	618	2550	250	125	25	90	4	8-M24 × 110	31.6
FCL280	980	2300	280	140	34	100	4	8-M24 × 116	44.0
FCL315	1568	2050	315	160	41	112	4	10-M24 × 116	57.7
FCL355	2450	1800	355	180	60	125	5	8-M30 × 150	89.5
FCL400	3920	1600	400	200	60	125	5	10-M30 × 150	113
FCL450	6174	1400	450	224	65	140	5	12-M30 × 150	145
FCL560	9800	1150	560	250	85	160	5	14-M30 × 150	229
FCL630	15680	1000	630	280	95	180	5	18-M30 × 150	296